

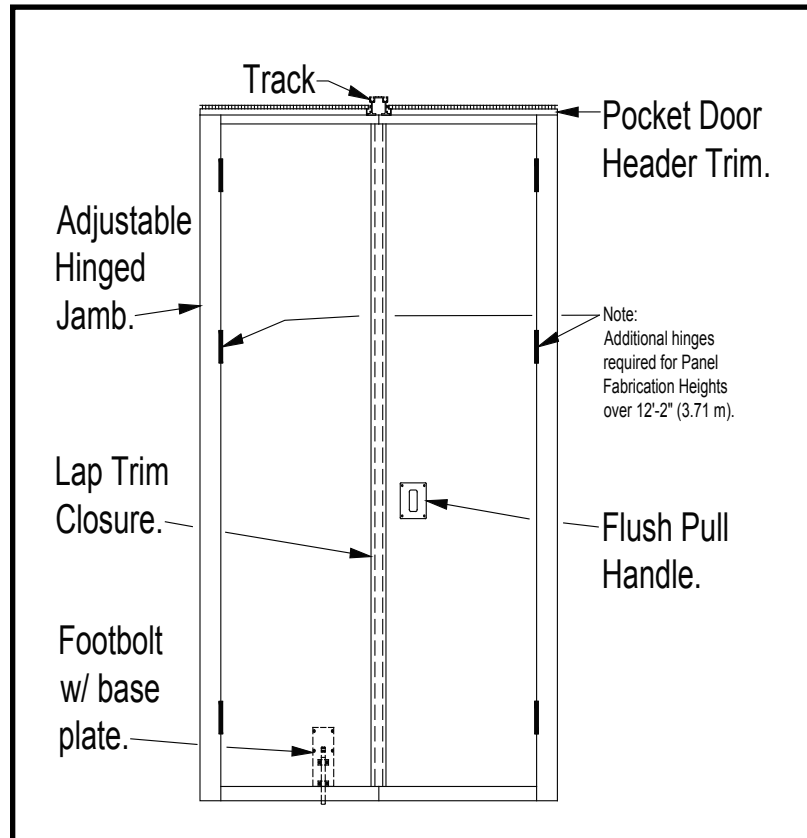
GLASS WALL POCKET DOORS

TECHNICAL DATA

KWIK-WALL... One Source for Wall Systems.

KWIK-WALL's Pocket Doors for glass wall systems bring you the clear solution to your space division requirements. The beauty and elegance of glass and the engineering capabilities of KWIK-WALL combine to provide you an unmatched degree of flexibility in designing your next glass wall project.

KWIK-WALL offers a full complement of Pocket Doors for customizing any glass system to meet the specific needs of the most demanding project.



1.01 WORK INCLUDED

- A. Moveable glass wall system shall be furnished, installed, and serviced by KWIK-WALL's authorized distributor, in compliance with the architectural drawings and specifications contained herein.

1.02 RELATED WORK

- A. Structural Support: Structural support system required for suspending the moveable glass wall shall be designed, installed, and pre-punched by others, in accordance with ASTM E 557 and KWIK-WALL's shop drawings.
- B. Opening Preparation: Proper and complete preparation of the moveable glass wall system opening shall be by others in accordance with ASTM E 557, and shall include floor leveling; plumbness of adjoining permanent walls; substrate and / or ceiling tile enclosures for the track system; and the painting and finishing of trim and other materials adjoining the head and jamb areas of the moveable glass wall. Refer to a copy of the shop drawings for additional details.

1.03 SYSTEM DESCRIPTION

- A. The moveable glass wall system shall consist of Individual Panels that are top supported by two (2) multi-directional carriers that are capable of negotiating 90°, "X", "L", and "T" intersections.
- B. The moveable glass wall system shall consist of nominal 3/8" [10] or 1/2" [12.7] thick tempered glass panels suspended from a continuous aluminum glass retainer located at the top and bottom of each panel.

1.04 QUALITY ASSURANCE

- A. Installer Qualifications: An experienced installer who is certified in writing by KWIK-WALL as qualified to install KWIK-WALL's systems for work similar in material, design, and extent to that indicated for this project.
- B. The moveable glass wall panel shall utilize clear tempered glass per ASTM C 1048-04.
- C. The moveable glass wall shall be installed by KWIK-WALL's authorized distributor in accordance with ASTM E 557.

1.05 REFERENCES

- A. ASTM C 1036-01: Standard Specification for Flat Glass.
- B. ASTM C 1048-04: Standard Specification for Heat Treated Flat Glass.
- C. ASTM E 557: Architectural Application and Installation of Operable Partitions.
- D. ASTM C 1172-03: Standard specifications for laminated architectural flat glass.

1.06 SUBMITTALS

- A. KWIK-WALL shall provide written technical information and related detail drawings, which demonstrate that products comply with contract documents for each type of moveable glass wall system specified.
- B. KWIK-WALL shall provide detailed engineering drawings featuring track plan, panel elevation, horizontal and vertical details and beam punching template as required.

1.07 DELIVERY, STORAGE AND HANDLING

- A. Panels shall be shipped in a completely enclosed wooden crate with high-density polystyrene blocks positioned between each panel to protect glass and hardware during delivery, storage and handling.
- B. Panels shall be stored on edge and above the floor on cushioned blocking in a dry and ventilated area, protected from humidity and temperature extremes.

1.08 SEQUENCING / SCHEDULING

- A. Beam Punching: KWIK-WALL shall provide beam punching template drawing detailing the anchor locations for the suspended track system for Drop Rod Mounting, as required for the fabrication and installation of structural overhead support by others.
- B. Track Installation: Scheduling of moveable glass wall track installation shall occur after structural overhead support has been properly and completely fabricated and installed by others.
- C. Panel Installation: Moveable glass wall panel installation shall occur after fixed wall substrate construction is properly and completely installed by others, as required to protect panels from ongoing adjacent construction.

1.09 WARRANTY

- A. KWIK-WALL shall warrant each moveable glass wall system and its hardware components to be free from defects in material and workmanship for a period of two (2) years from the date of delivery to the original purchaser, when installed by an authorized KWIK-WALL distributor. (Glass is specifically excluded from the warranty.)

2.01 ACCEPTABLE MANUFACTURER

A. Pocket Door(s) shall be manufactured by KWIK-WALL Company.

2.02 PANEL CONSTRUCTION

- A. Panel Dimensions: Standard panel dimension shall be nominal 2³/₁₆" [56] thick.
- B. Panel Frame: Frame shall be constructed of wood with reinforced corner supports.
- C. Panel Skins: Panel substrate shall consist of particle board pressure laminated to both sides of the wood frame to form a rigid, unitized and structural panel.
- D. Panel Hinges: Shall be steel low profile piano hinges, secured to Bi-Fold and Double type pocket door panel frames. Hinges shall have a finish of (select):
1. Dull - Aluminum Metallic
 2. Dark Bronze
- E. Panel Weight: Maximum panel weight shall be 5.5 lb. / ft.² (32 kg / m²) depending on size and options selected.

2.03 OPERATION

- A. Operation shall consist of manually operated pocket doors allowing the pocket area to be closed off when the glass wall panels are set up in the extended position or stored in the stack area. The type of pocket door(s) shall be (select):
1. Bi-Fold
 2. Double
 3. Single Sliding
 4. Single Sliding w/ Fixed Panel

2.04 FINISHES

- A. Finish Material Type: Pocket Door finish material shall be (select):
1. Standard Laminated Plastic: consisting of Wilsonart® Type 107 laminated plastic .048" [1.22] thick, available in a full range of colors and patterns. Laminate shall comply with U.S. Federal Specification L-P 508H.
 2. Optional KWIK-Wood Veneer: consisting of flat cut wood veneer laminated under specific heat and pressure to a 5-mil thermoplastic, non-woven fiber backer sheet. Veneer sheets shall be booked matched, and suitable for field applied paint or stain. Veneer shall be Class A rated in accordance with ASTM E 84.
- B. Finish Material Supplier: Finish material shall be from manufacturer's standard selection of finish material.
- C. Finish Material Application: Finish material shall be applied by the glass wall manufacturer.

2.06 PERIMETER TRIM

A. Vertical Panel Edges: Panel(s) shall have vertical edges covered with finish material that does not require any vertical trim on panel(s).

2.07 POCKET DOOR CLOSURES

- A. Pocket Door Types: The pocket door configuration shall be (select):
1. Bi-Fold: consisting of a pair of panels hinged together and to a wall mounted jamb. The lead panel shall contain a flush pull handle, and a cylinder operated flush bolt lock with adjustable concealed vertical rod interfacing with strike plate attached to finished floor. Pocket doors shall be capable of swinging 180° to allow sufficient clearance for the glass wall panels.

Note: This type of pocket door is available with a glass wall systems utilizing a parallel stack unit.

2. Double: consisting of two (2) individual panels with each panel being hinged to a wall mounted jamb. To stabilize one (1) of the pocket doors a surface mounted foot bolt shall be furnished by KWIK-ALL and installed by others in the field. The adjacent pocket shall contain a flush pull handle, and a cylinder operated flush bolt lock with adjustable concealed vertical rod interfacing with strike plate attached to finished floor. Pocket doors shall be capable of swinging 180° to allow sufficient clearance for the glass wall panels.

Note: This type of pocket door is available with a glass wall systems utilizing a remote stack unit.

3. Single Sliding: consisting of a single panel suspended by two (2) carriers traveling in an overhead track system. Bottom of panel contain a Door Guide attached to the floor to stabilize the panel. Panel shall contain a flush pull handle on both sides. (Maximum panel size: 4'-0" (1.22 m) wide x 10'-0" (3.05 m) high.

Note: This type of pocket door is available with a glass wall system utilizing a parallel or perpendicular stack unit.

4. Single Sliding w/ Fixed Panel: consisting of a single panel suspended by two (2) carriers traveling in an overhead track system, and one (1) fixed panel attached to the floor and to an overhead structural support member using metal brackets supplied by KWIK-WALL. Bottom of Single Sliding panel shall contain a Door Guide attached to the floor to stabilize the panel. Single Sliding panel shall contain a flush pull handle on both sides. (Maximum Single Sliding and Fixed panel size: 4'-0" (1.22 m) wide x 10'-0" (3.05 m) high.

Note: This type of pocket door is available with a glass wall system utilizing a parallel or perpendicular stack unit.

Note: Pocket door(s) require additional depth and width to the stack area.

2.08 POCKET DOOR ACCESSORIES

A. Accessories shall include (select):

1. Cylinder Operated Flush Bolt: consisting of a keyed cylinder lock with an adjustable concealed vertical rod interfacing with strike plate attached to finished floor. Lock unit shall be capable of receiving a master cylinder, furnished by others and installed by KWIK-WALL as noted on submitted shop drawings.
2. Lever Action Flush Bolt: consisting of a flush bolt located in edge of panel with an adjustable concealed vertical rod interfacing with strike plate attached to finished floor.

Note: Lever Action Flush Bolt shall be compatible with Sliding and Double type pocket doors.

2.09 TRACK SYSTEMS

A. Pocket Door Aluminum Track: The Junior pocket door track system shall be extruded of structural grade aluminum alloy, as engineered HAWA®, and finished in anodized clear satin finish, which resists color fading and flaking. Track shall include a track stop with progressively adjustable retention spring catch. Track shall be direct mounted to a level wood structure.

B. Track Size: The track size shall be (select):

1. Type Junior 40/B Track: certified to be capable of supporting up to 88 lb. (40 kg) of total live load weight per panel.
2. Type Junior 80/B Track: certified to be capable of supporting up to 176 lb. (80 kg) of total live load weight per panel.
3. Type Junior 120/B Track: certified to be capable of supporting up to 264 lb. (120 kg) of total live load weight per panel.

Note: Junior pocket door track system is compatible with Single Sliding and Single Sliding w/ Fixed pocket door configurations only.

2.10 CARRIER SYSTEMS

A. Carriers: Each sliding type pocket door panel shall be top supported by two (2) carriers utilizing a 5/16" [8] diameter pendant bolts. Each carrier shall consist of four (4) ball bearing wheels with high-density polymer tires, as required for ease of panel movement.

B. Carrier Size: The carrier size shall be (select):

1. Type Junior 40/B Carrier: certified to be capable of supporting up to 88 lb. (40 kg) of total live load weight per panel.
2. Type Junior 80/B Carrier: certified to be capable of supporting up to 176 lb. (80 kg) of total live load weight per panel.
3. Type Junior 120/B Carrier: certified to be capable of supporting up to 264 lb. (120 kg) of total live load weight per panel.

2.11 SUSPENSION SYSTEM

A. Mounting System: The pocket door track system shall be direct mounted using #8 x 3" [76] wood screws for attachment to a level overhead structural (wood) support.

GLASS WALL POCKET DOOR PRODUCT GUIDE		
Panel Thickness (nominal)	Max. Panel Weight lb./ft. ²	Max. Pocket Door Height
2 ³ / ₁₆ " [56]	5.5 (27 kg/m ²)	10' - 0" (3.05 m)

*Maximum height varies based on glass wall model selected.

GLASS WALL POCKET DOOR PRODUCT GUIDE		
Panel Door Type	Max. Pocket Door Opening Width	Panel Fabrication Height* Up to 10' - 0" (3.05 m)
Bi-Fold	2' - 0" (.61 m)	
Double	4' - 6" (1.37 m)	
Single Sliding	3' - 10" (1.17 m)	
Single Sliding with Fixed Panel	7' - 10" (2.39 m)	

3.01 INSPECTION

- A. Proper and complete preparation of the moveable glass wall system opening shall be by others in accordance with the architectural drawings, KWIK-WALL's shop drawings and ASTM E 557. Any deviation of the actual opening from these specifications shall be called to the attention of the architect prior to the installation of the operable wall.
- B. Deficiencies in the moveable glass wall opening shall be corrected by others prior to installation of the moveable glass wall system.

3.02 INSTALLATION

- A. The pocket door(s) shall be installed by KWIK-WALL's authorized distributor.
- B. The pocket door(s) shall be installed in accordance with KWIK-WALL's written instructions, shop drawings and ASTM E 557 installation guidelines.

3.03 ADJUSTING AND CLEANING

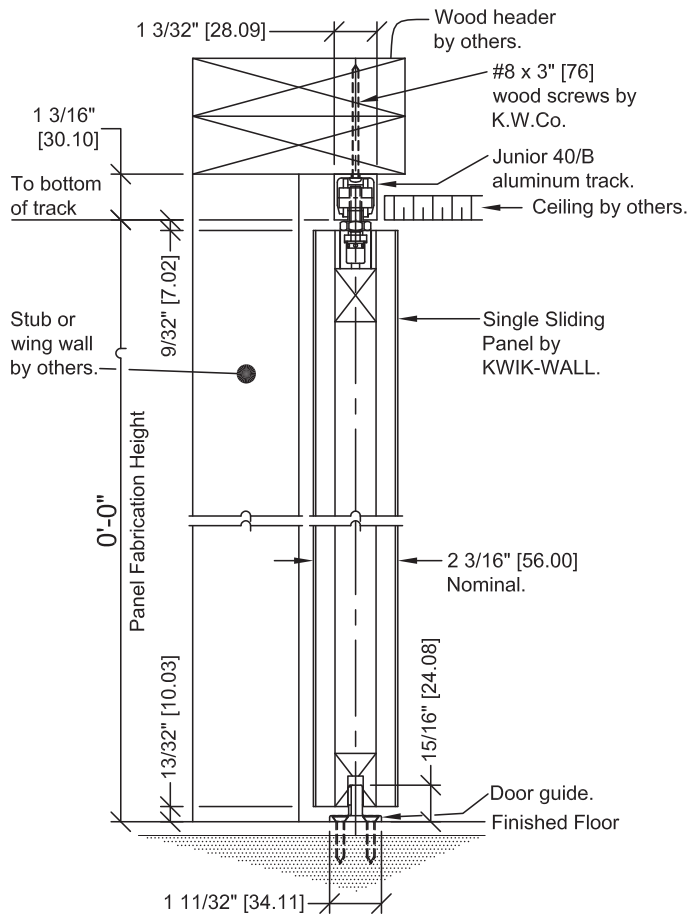
- A. The pocket door(s) shall be adjusted and cleaned in accordance with KWIK-WALL's written instructions.

3.04 PROTECTION

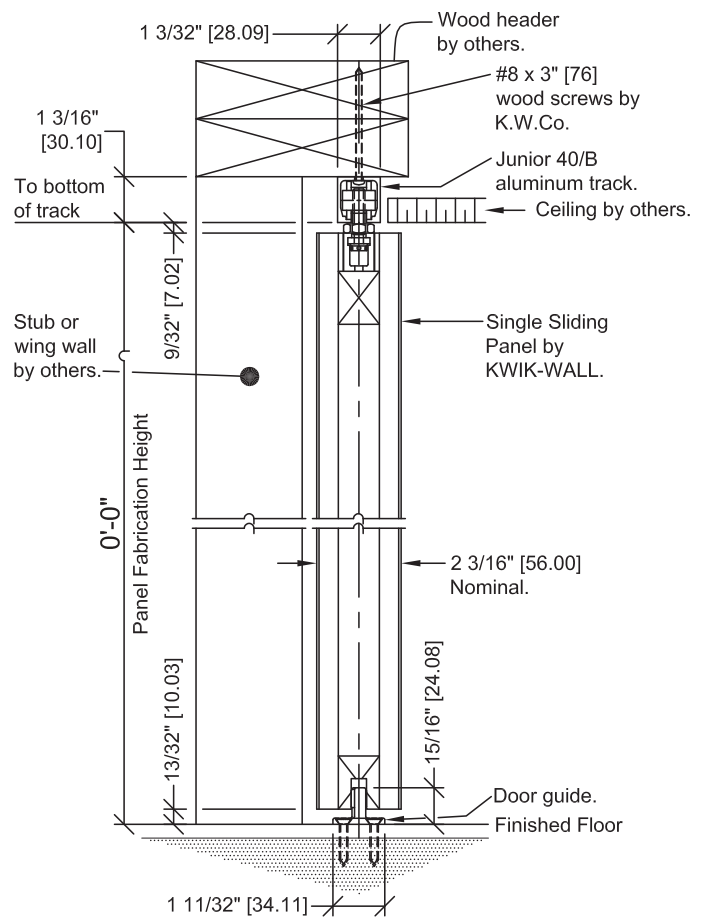
- A. The pocket door(s) shall be stored in the "extended" position prior to acceptance by the owner's representative.

3.05 DEMONSTRATION

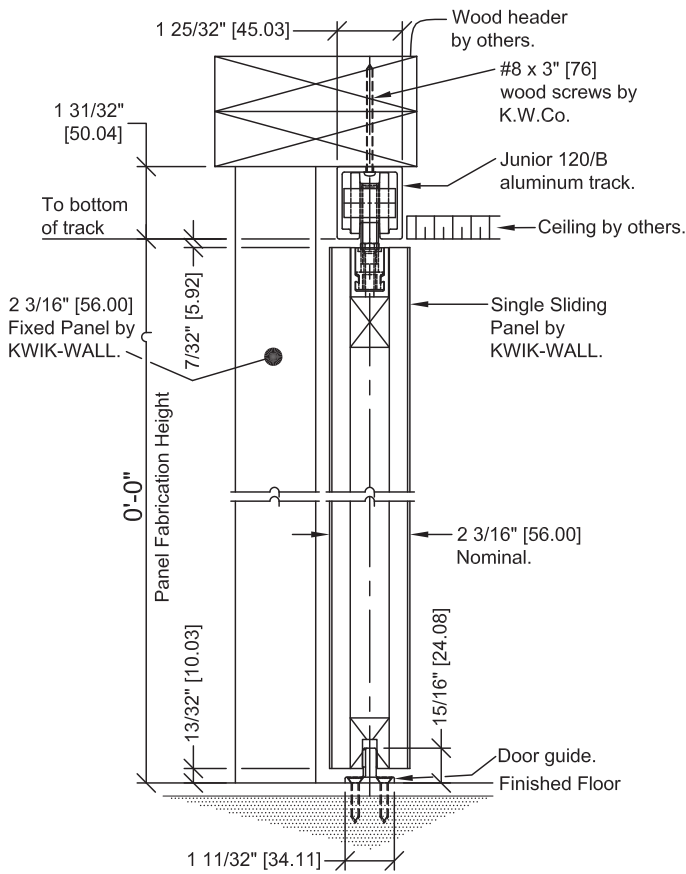
- A. KWIK-WALL's authorized distributor shall demonstrate proper operation and explain proper and necessary maintenance requirements of the pocket door(s) to the owner's representative. .



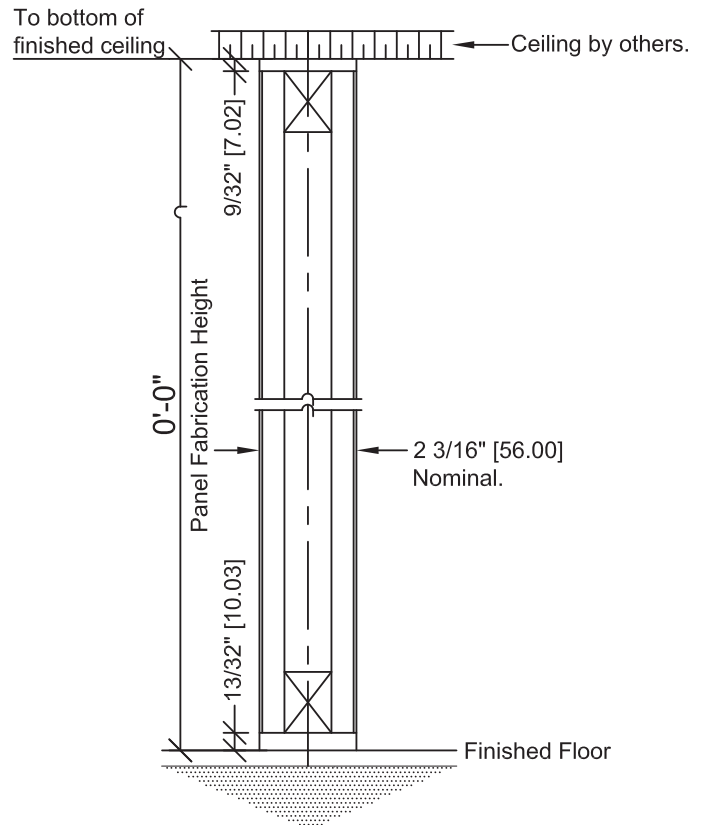
**Junior 40/B
Single Sliding Pocket Door**



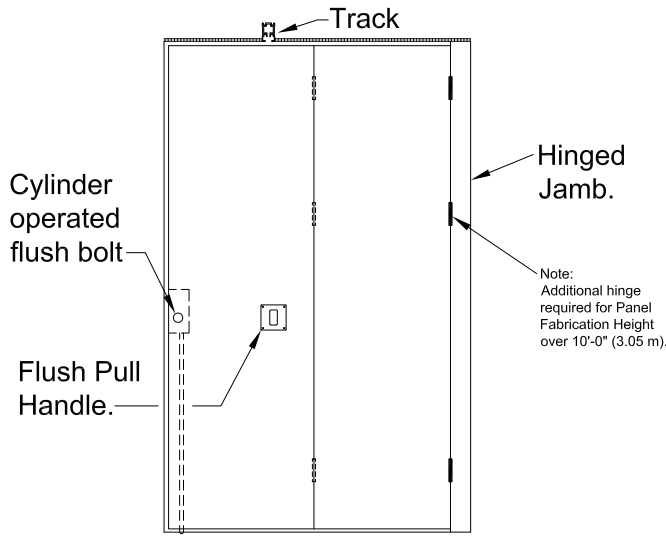
**Junior 80/B
Single Sliding Pocket Door**



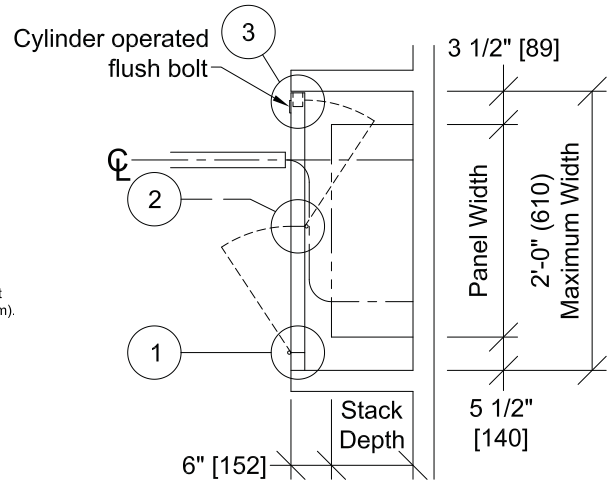
**Junior 120/B
Single Sliding w/ Fixed Panel
Pocket Door**



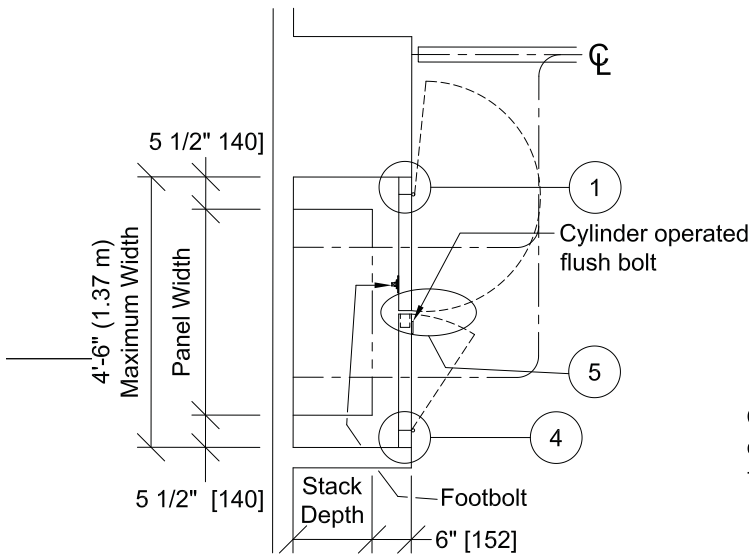
**Bi-Fold or Double
Pocket Door**



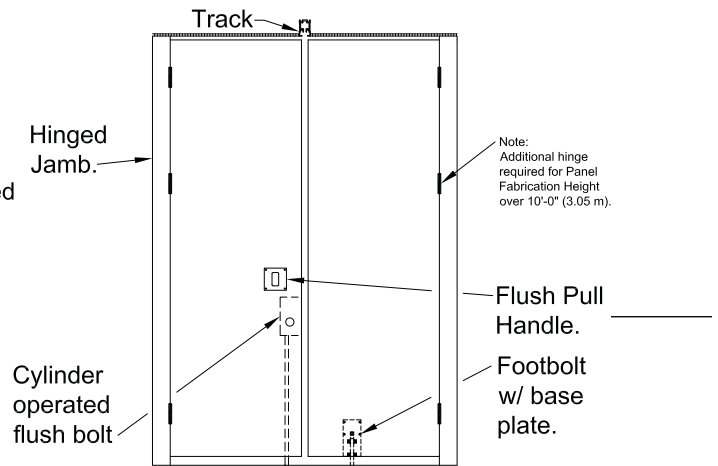
Plan View



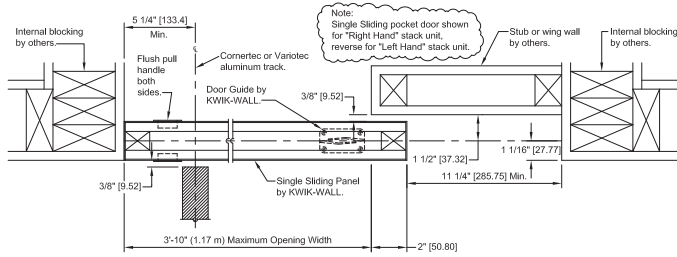
Elevation View



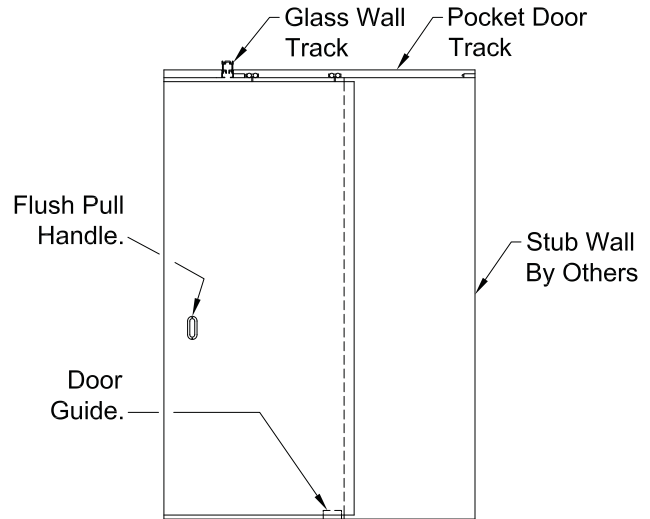
Plan View



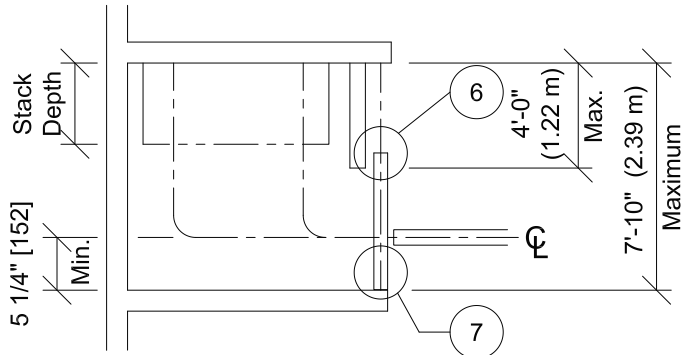
Elevation View



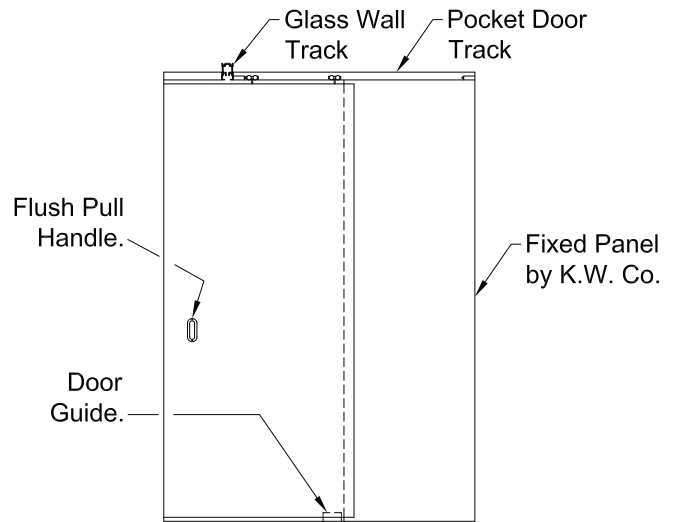
Plan View



Elevation View



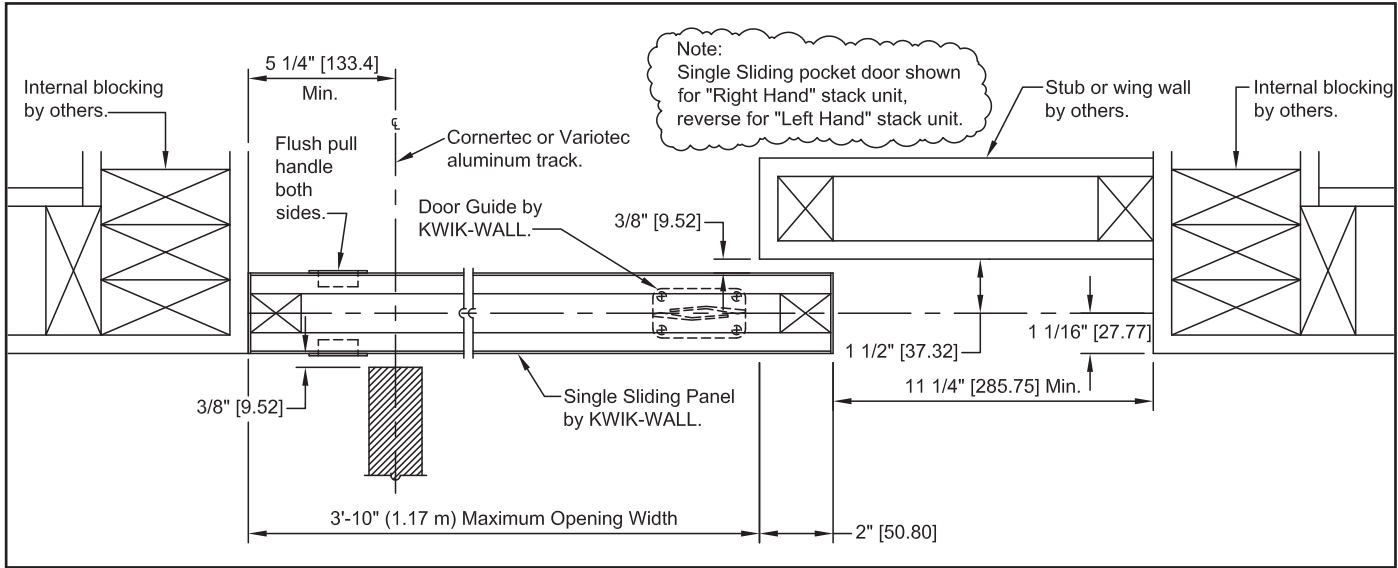
Plan View



Elevation View

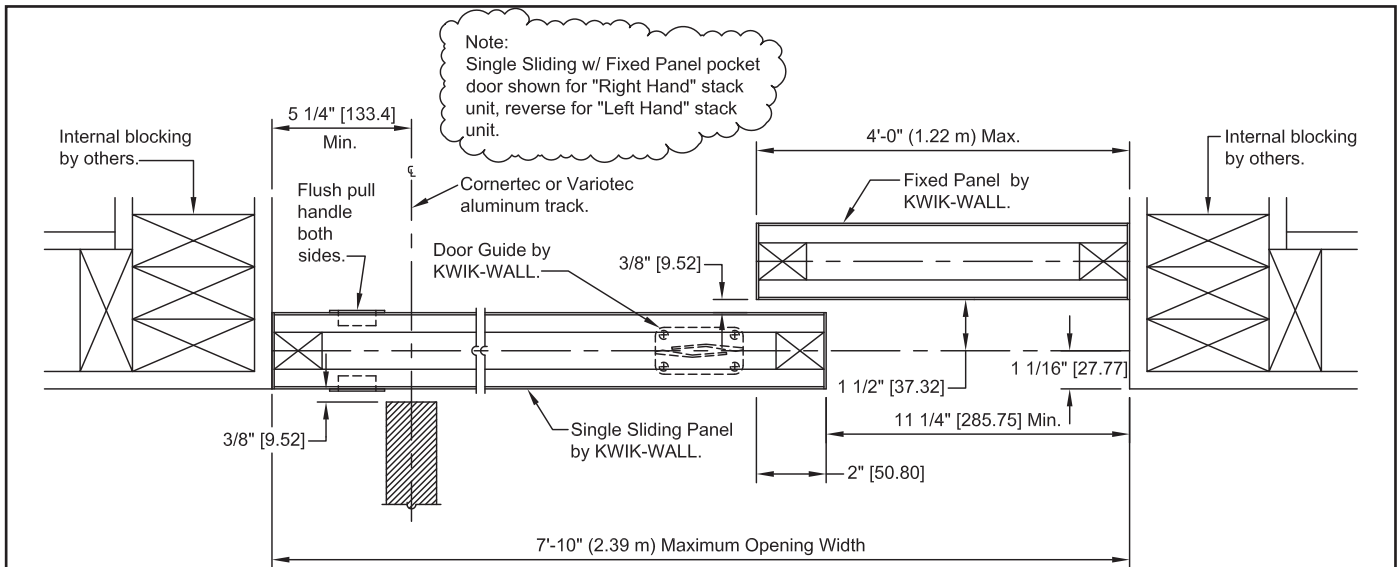
- | | |
|---------------------------|-------------------------------|
| 1. Adjustable Hinged Jamb | 5. Expander Closure |
| 2. Hinged Joint | 6. Lap Closure |
| 3. Bulb Seal | 7. Adjustable Hinged Jamb |
| 4. Adjustable Hinged Jamb | 8. Expander/Bulb Seal Closure |

Horizontal Details for numbers 1 through 8 can be found on page 10 and 11

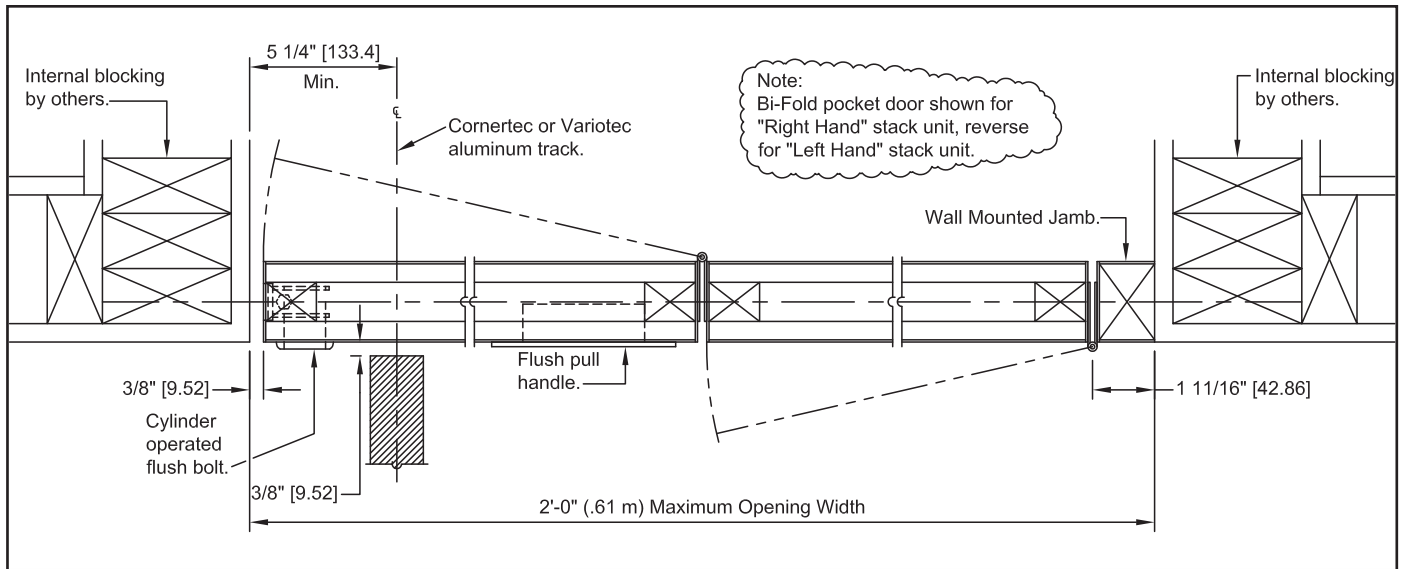


Single Sliding

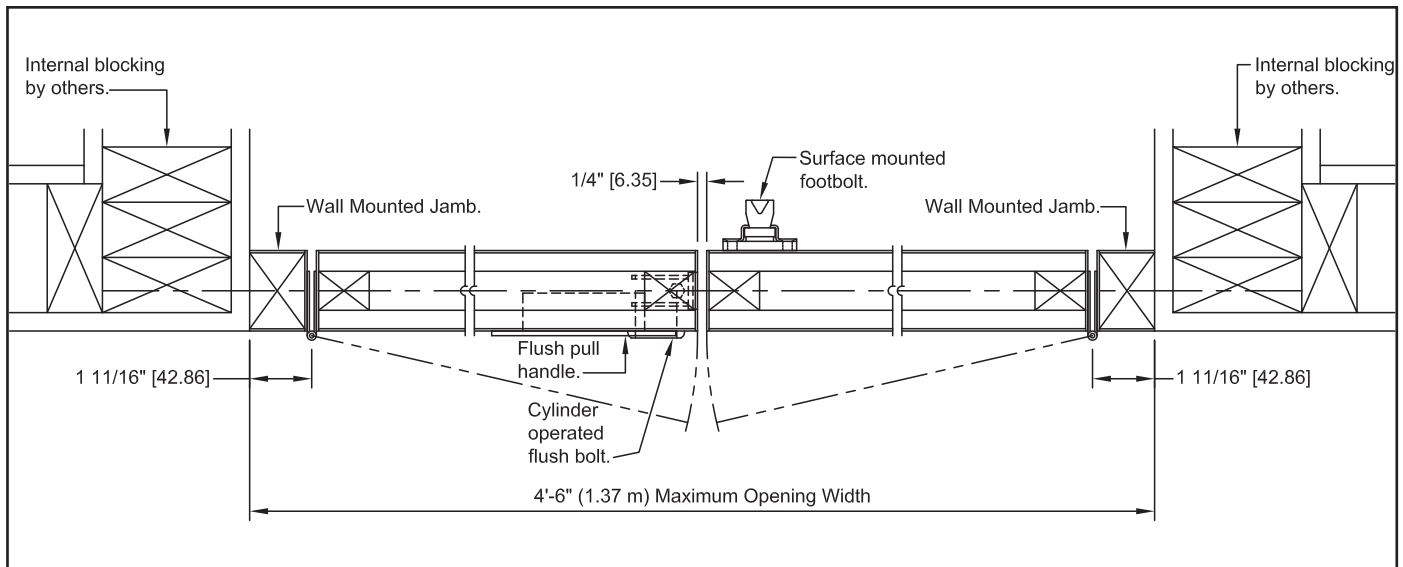
Bi-Fold Pocket Door with Bulb Seal-Trimless



Single Sliding w/ Fixed Panel



Bi-Fold



Double

Single Pocket Door with Bulb Seal-Trimless

KWIK-WALL Company warrants each glass wall and its component parts to be free from defects in material and workmanship for a period of two (2) years from date of delivery to the original purchaser, when installed by an authorized KWIK-WALL distributor. KWIK-WALL Company reserves the right to have authorized personnel inspect any part alleged to be defective and to refuse any returned material unless the return was previously authorized by KWIK-WALL. (Glass is specifically excluded from the warranty.)

This warranty does not apply to any damage or deterioration caused by abuse or failure to provide reasonable and necessary maintenance. All field applied finishes, accessories or product modifications are specifically excluded under this warranty. KWIK-WALL's liability hereunder is limited to the replacement of any partition or component part found to be defective. Labor charges are the responsibility of the customer.

KWIK-WALL SHALL NOT BE LIABLE FOR ANY INCIDENTAL OR CONSEQUENTIAL DAMAGES. ALL OTHER WARRANTIES EXPRESSED OR IMPLIED INCLUDING ANY IMPLIED WARRANTY OF MERCHANTABILITY ARE HEREBY EXPRESSLY EXCLUDED.

Some states do not allow the exclusion or limitation of consequential or incidental damages, so the above limitation or exclusion may not apply to you.

This warranty gives you specific legal rights, and you may also have other rights which vary from state to state

Note:

Due to ongoing research and development, some variation may occur in product specifications and design. Please refer to your actual KWIK-WALL shop drawing(s) for exact product dimensions and specifications.

Distributed By:

